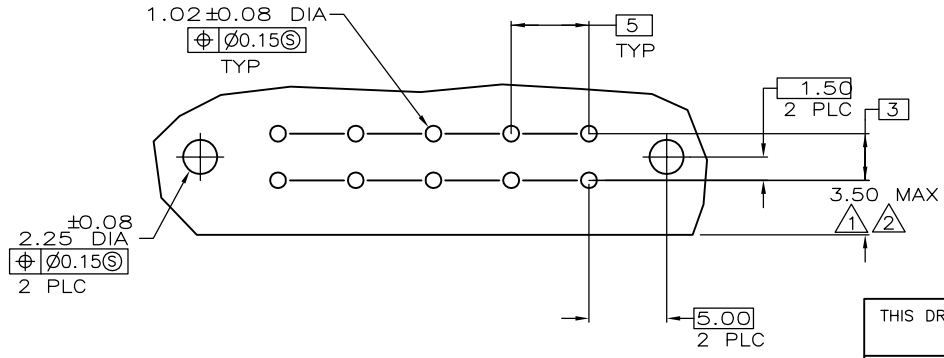
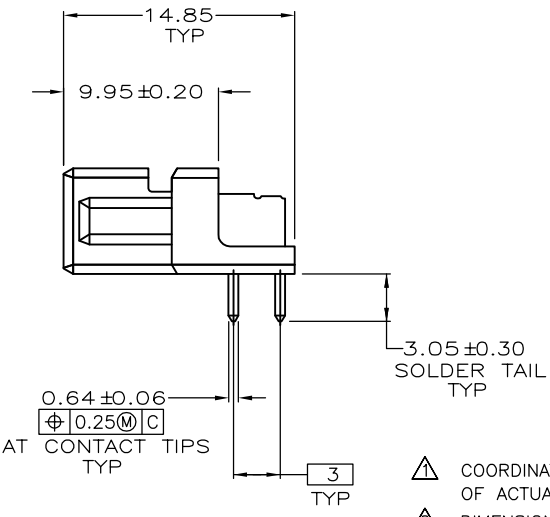
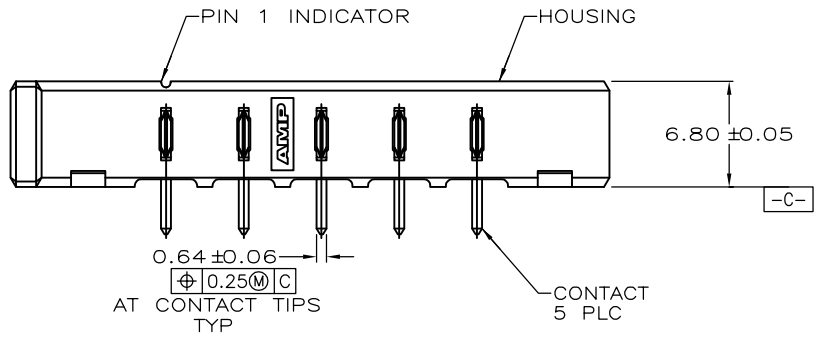
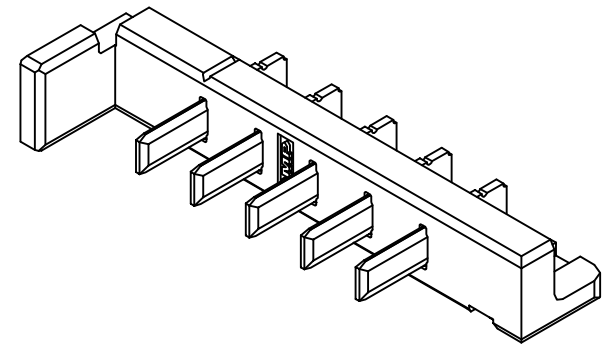
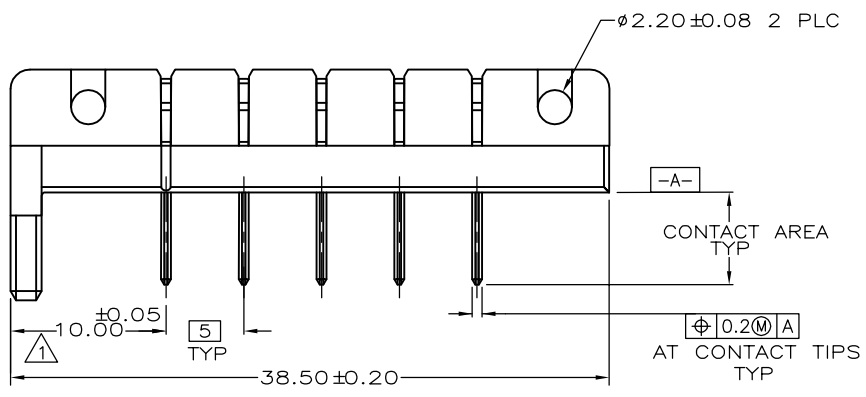


THIS DRAWING IS UNPUBLISHED. RELEASED FOR PUBLICATION
 © COPYRIGHT - BY TYCO ELECTRONICS CORPORATION. ALL RIGHTS RESERVED.

LOC	DIST	REVISIONS					
ES	00	P	LTR	DESCRIPTION	DATE	DWN	APVD
		0		RELEASED	ECR-05-001438	25MAR05	J.Z I.E



- ▲ COORDINATE DIMENSION APPLIES FROM CENTER OF ACTUAL FEATURE.
- ▲ DIMENSION CAN BE EXCEEDED FOR APPLICATIONS WHERE FINAL MATED POSITION OF PACK IS ABOVE TOP SURFACE OF PCB.
- ▲ HOUSING: LCP, COLOR BLACK
- ▲ CONTACTS: BRASS
- ▲ CONTACTS: 2.54um MIN TIN ON SOLDER TAIL OVER 1.90um MIN NICKEL ALL OVER.

5787246-1

THIS DRAWING IS A CONTROLLED DOCUMENT.		DWN	G.DOUTY	06-07-94		Tyco Electronics Corporation	
		CHK	S.KLINE	06-30-94		Shanghai PRC	
		APVD	S.KLINE	06-30-94	NAME		
DIMENSIONS:		TOLERANCES UNLESS OTHERWISE SPECIFIED:		PRODUCT SPEC			
mm				APPLICATION SPEC			
		0 PLC ± -		SIZE			
		1 PLC ± -		CAGE CODE			
		2 PLC ± 0.10		DRAWING NO			
		3 PLC ± -		RESTRICTED TO			
		4 PLC ± -		WEIGHT			
		ANGLES ± -		A3 00779 C-5787246			
MATERIAL		FINISH		CUSTOMER DRAWING			
▲		▲		SCALE 3:1			
				SHEET 1 OF 1			
				REV 0			